

# Low-Voltage, Dual Supply, Low $r_{ON}$ , Quad SPST Analog Switches

## FEATURES

- 2.7- thru 12-V Single Supply or  $\pm 3$ - thru  $\pm 6$ -Dual Supply
- On-Resistance— $r_{DS(on)}$ : 1.7  $\Omega$
- Fast Switching— $t_{ON}$ : 42 ns  
— $t_{OFF}$ : 28 ns
- TTL, CMOS Compatible
- Low Leakage: 0.2 nA
- 2000-V ESD Protection

## BENEFITS

- Widest Dynamic Range
- Low Signal Errors and Distortion
- Break-Before-Make Switching Action
- Simple Interfacing

## APPLICATIONS

- Automatic Test Equipment
- Data Acquisition Systems
- Communication Systems
- ADC Systems
- xDSL and PBX/PABX
- Audio Signal Routing

## DESCRIPTION

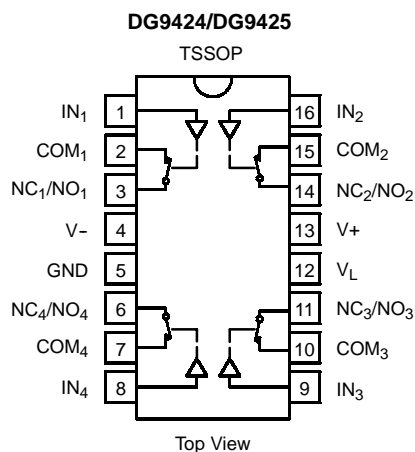
The DG9424/9425/9426 are low voltage precision monolithic quad single-pole-single-throw analog switches.

Using BiCMOS wafer fabrication technology allows the DG9424/9425/9426 to operate on single and dual supplies. Single supply voltage ranges from 3 to 12 V while dual supply operation is recommended with  $\pm 3$  to  $\pm 6$  V.

Combining high speed ( $t_{ON}$ : 42 ns), flat  $r_{DS(on)}$  over the analog signal range ( $\Omega$ ), minimal insertion lose ( $-3$  dB at 190 MHz), and excellent crosstalk and off-isolation performance, the DG9424/9425/9426 are ideally suited for audio and video signal switching.

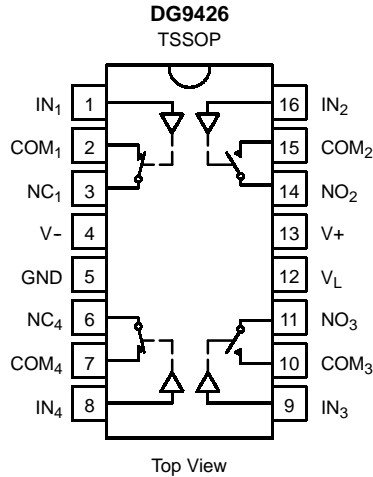
The DG9424 and DG9425 respond to opposite control logic as shown in the Truth Table. The DG9426 has two normally open and two normally closed switches.

## FUNCTIONAL BLOCK DIAGRAM AND PIN CONFIGURATION



TRUTH TABLE		
Logic	DG9424	DG9425
0	OFF	ON
1	ON	OFF

**FUNCTIONAL BLOCK DIAGRAM AND PIN CONFIGURATION**



TRUTH TABLE		
Logic	SW <sub>1</sub> , SW <sub>4</sub>	SW <sub>2</sub> , SW <sub>3</sub>
0	ON	OFF
1	OFF	ON

ORDERING INFORMATION		
Temp Range	Package	Part Number
<b>DG9424/9425</b>		
-40 to 85°C	16-Pin TSSOP	DG9424DQ
		DG9425DQ
<b>DG9426</b>		
-40 to 85°C	16-Pin TSSOP	DG9426DQ

**ABSOLUTE MAXIMUM RATINGS**

V+ to V- ..... -0.3 TO 13 V  
 GND to V- ..... 7 V  
 VL ..... (GND -0.3 V) to (V+) +0.3 V  
 IN, COM, NC, NO<sup>a</sup> ..... -0.3 to (V+ +0.3 V)  
 Continuous Current (NO, NC, COM Pins) ..... 100 mA  
 Peak Current, S or D (Pulsed 1 ms, 10% Duty Cycle) ..... 200 mA  
 Storage Temperature ..... -65 to 150°C

Power Dissipation (Package)<sup>b</sup>  
 16-Pin TSSOP<sup>c</sup> ..... 450 mW

- Notes:
- a. Signals on NC, NO, COM or IN exceeding V+ or V- will be clamped by internal diodes. Limit forward diode current to maximum current ratings.
  - b. All leads welded or soldered to PC Board.
  - c. Derate 5.6 mW/°C above 70°C



SPECIFICATIONS <sup>a</sup> (SINGLE SUPPLY 12 V)							
Parameter	Symbol	Test Conditions Unless Specified V <sub>+</sub> = 12 V, V <sub>-</sub> = 0 V V <sub>L</sub> = 5 V, V <sub>IN</sub> = 2.4 V, 0.8 V <sup>f</sup>	Temp <sup>b</sup>	Limits -40 to 85°C			Unit
				Min <sup>d</sup>	Typ <sup>c</sup>	Max <sup>d</sup>	
<b>Analog Switch</b>							
Analog Signal Range <sup>e</sup>	V <sub>ANALOG</sub>		Full	0		12	V
On-Resistance	r <sub>ON</sub>	V <sub>+</sub> = 10.8 V, V <sub>-</sub> = 0 V I <sub>NO</sub> , I <sub>NC</sub> = 50 mA, V <sub>COM</sub> = 2/9 V	Room Full		1.8	3 4	Ω
<b>Digital Control</b>							
Input Current	I <sub>INL</sub> or I <sub>INH</sub>		Full	-1	0.01	1	μA
<b>Dynamic Characteristics</b>							
Turn-On Time <sup>e</sup>	t <sub>ON</sub>	R <sub>L</sub> = 300 Ω, C <sub>L</sub> = 35 pF V <sub>NO</sub> , V <sub>NC</sub> = 5 V See Figure 2	Room Full		42	57 65	ns
Turn-Off Time <sup>e</sup>	t <sub>OFF</sub>		Room Full		28	42 44	
Break-Before-Make Time Delay <sup>e</sup>	t <sub>D</sub>	DG9426 Only, V <sub>NO</sub> , V <sub>NC</sub> = 5 V R <sub>L</sub> = 300 Ω, C <sub>L</sub> = 35 pF	Room	2			
Charge Injection <sup>e</sup>	Q <sub>INJ</sub>	V <sub>g</sub> = 0 V, R <sub>g</sub> = 0 Ω, C <sub>L</sub> = 1 nF	Room		38		pC
Off Isolation <sup>e</sup>	OIRR	R <sub>L</sub> = 50 Ω, C <sub>L</sub> = 5 pF, f = 1 MHz	Room		-56		dB
Channel-to-Channel Crosstalk <sup>e</sup>	X <sub>TALK</sub>		Room		-77		
NO, NC Off Capacitance <sup>e</sup>	C <sub>NO(off)</sub> C <sub>NC(off)</sub>	f = 1 MHz	Room		49		pF
COM Off Capacitance <sup>e</sup>	C <sub>COM(off)</sub>		Room		37		
Channel On Capacitance <sup>e</sup>	C <sub>COM(on)</sub>		Room		89		
<b>Power Supplies</b>							
Positive Supply Current	I <sub>+</sub>	V <sub>IN</sub> = 0 or V <sub>L</sub>	Room Full		0.02	1 5	μA
Negative Supply Current	I <sub>-</sub>		Room Full	-1 -5	-0.002		
Logic Supply Current	I <sub>L</sub>		Room Full		0.002	1 5	
Ground Current	I <sub>GND</sub>		Room Full	-1 -5	-0.002		

SPECIFICATIONS <sup>a</sup> (DUAL SUPPLY ± 5 V)							
Parameter	Symbol	Test Conditions Unless Specified V <sub>+</sub> = 5 V, V <sub>-</sub> = -5 V V <sub>L</sub> = 5 V, V <sub>IN</sub> = 2.4 V, 0.8 V <sup>f</sup>	Temp <sup>b</sup>	Limits -40 to 85°C			Unit
				Min <sup>d</sup>	Typ <sup>c</sup>	Max <sup>d</sup>	
<b>Analog Switch</b>							
Analog Signal Range <sup>e</sup>	V <sub>ANALOG</sub>		Full	-5		5	V
On-Resistance	r <sub>ON</sub>	V <sub>+</sub> = 4.5 V, V <sub>-</sub> = -4.5 V I <sub>NO</sub> , I <sub>NC</sub> = 50 mA, V <sub>COM</sub> = ±3.5 V	Room Full		2	3.3 4.3	Ω
Switch Off Leakage Current	I <sub>NO(off)</sub> I <sub>NC(off)</sub>	V <sub>+</sub> = 5.5 V, V <sub>-</sub> = -5.5 V V <sub>COM</sub> = ±4.5 V, V <sub>NO</sub> , V <sub>NC</sub> = ∓4.5 V	Room Full	-1 -10		1 10	nA
	I <sub>COM(off)</sub>		Room Full	-1 -10		1 10	
Channel On Leakage Current	I <sub>COM(on)</sub>	V <sub>+</sub> = 5.5 V, V <sub>-</sub> = -5.5 V V <sub>NO</sub> , V <sub>NC</sub> = V <sub>COM</sub> = ±4.5 V	Room Full	-1 -10		1 10	
<b>Digital Control</b>							
Input Current <sup>a</sup>	I <sub>INL</sub> or I <sub>INH</sub>		Full	-1	0.05	1	μA



SPECIFICATIONS <sup>a</sup> (DUAL SUPPLY ± 5 V)							
Parameter	Symbol	Test Conditions Unless Specified $V_+ = 5\text{ V}, V_- = -5\text{ V}$ $V_L = 5\text{ V}, V_{IN} = 2.4\text{ V}, 0.8\text{ V}^f$	Temp <sup>b</sup>	Limits -40 to 85°C			Unit
				Min <sup>d</sup>	Typ <sup>c</sup>	Max <sup>d</sup>	
<b>Dynamic Characteristics</b>							
Turn-On Time <sup>e</sup>	$t_{ON}$	$R_L = 300\ \Omega, C_L = 35\text{ pF}$ $V_{NO}, V_{NC} = \pm 3.5\text{ V}$ See Figure 2	Room Full		56	74 81	ns
Turn-Off Time <sup>e</sup>	$t_{OFF}$		Room Full		42	64 67	
Break-Before-Make Time Delay <sup>e</sup>	$t_D$	DG9426 Only, $V_{NO}, V_{NC} = 3.5\text{ V}$ $R_L = 300\ \Omega, C_L = 35\text{ pF}$	Room	2			
Charge Injection <sup>e</sup>	$Q_{INJ}$	$V_g = 0\text{ V}, R_g = 0\ \Omega, C_L = 1\text{ nF}$	Room		112		pC
Off Isolation <sup>e</sup>	OIRR	$R_L = 50\ \Omega, C_L = 5\text{ pF},$ $f = 1\text{ MHz}$	Room		-56		dB
Channel-to-Channel Crosstalk <sup>e</sup>	$X_{TALK}$		Room		-82		
Source Off Capacitance <sup>e</sup>	$C_{NO(off)}$ $C_{NC(off)}$	$f = 1\text{ MHz}$	Room		38		pF
Drain Off Capacitance <sup>e</sup>	$C_{COM(off)}$		Room		38		
Channel On Capacitance <sup>e</sup>	$C_{COM(on)}$		Room		89		
<b>Power Supplies</b>							
Positive Supply Current <sup>e</sup>	$I_+$	$V_{IN} = 0\text{ or }V_L$	Room Full		0.03	1 5	$\mu\text{A}$
Negative Supply Current <sup>e</sup>	$I_-$		Room Full	-1 -5	-0.002		
Logic Supply Current <sup>e</sup>	$I_L$		Room Full		0.002	1 5	
Ground Current <sup>e</sup>	$I_{GND}$		Room Full	-1 -5	-0.002		

SPECIFICATIONS <sup>a</sup> (SINGLE SUPPLY 5 V)							
Parameter	Symbol	Test Conditions Unless Specified $V_+ = 5\text{ V}, V_- = 0\text{ V}$ $V_L = 5\text{ V}, V_{IN} = 2.4\text{ V}, 0.8\text{ V}^f$	Temp <sup>b</sup>	Limits -40 to 85°C			Unit
				Min <sup>d</sup>	Typ <sup>c</sup>	Max <sup>d</sup>	
<b>Analog Switch</b>							
Analog Signal Range <sup>e</sup>	$V_{ANALOG}$		Full			5	V
On-Resistance <sup>e</sup>	$r_{ON}$	$V_+ = 4.5\text{ V}, I_{NO}, I_{NC} = 50\text{ mA}$ $V_{COM} = 1\text{ V}, 3.5\text{ V}$	Room Full		3.4	4.8 5.8	$\Omega$
<b>Dynamic Characteristics</b>							
Turn-On Time <sup>e</sup>	$t_{ON}$	$R_L = 300\ \Omega, C_L = 35\text{ pF}$ $V_{NO}, V_{NC} = 3.5\text{ V}$ , See Figure 2	Room Hot		71	86 106	ns
Turn-Off Time <sup>e</sup>	$t_{OFF}$		Room Hot		37	51 56	
Break-Before-Make Time Delay <sup>e</sup>	$t_D$	DG9426 Only, $V_{NO}, V_{NC} = 3.5\text{ V}$ $R_L = 300\ \Omega, C_L = 35\text{ pF}$	Room	5			
Charge Injection <sup>e</sup>	$Q_{INJ}$	$V_g = 0\text{ V}, R_g = 0\ \Omega, C_L = 1\text{ nF}$	Room		10		pC
<b>Power Supplies</b>							
Positive Supply Current <sup>e</sup>	$I_+$	$V_{IN} = 0\text{ or }V_L$	Room Hot		0.02	1 5	$\mu\text{A}$
Negative Supply Current <sup>e</sup>	$I_-$		Room Hot	-1 -5	-0.002		
Logic Supply Current <sup>e</sup>	$I_L$		Room Hot		0.002	1 5	
Ground Current <sup>e</sup>	$I_{GND}$		Room Hot	-1 -5	-0.002		



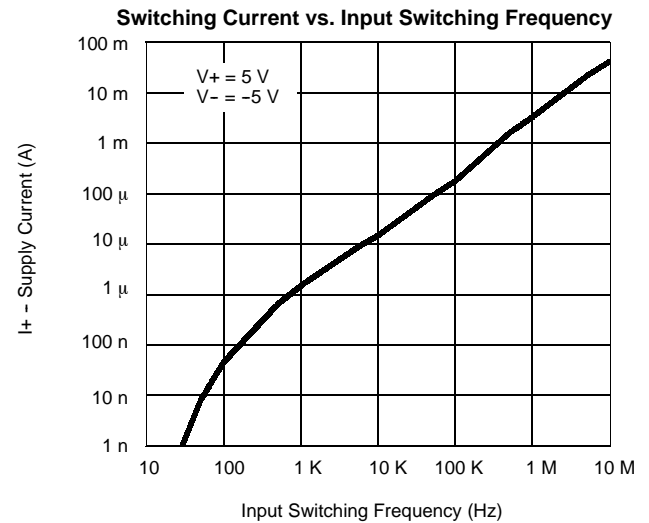
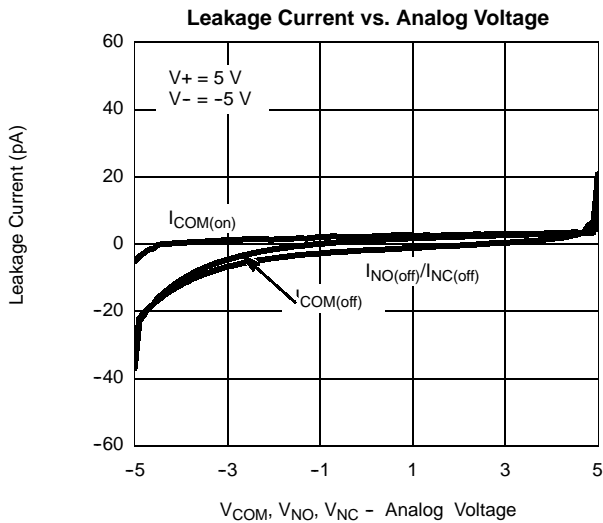
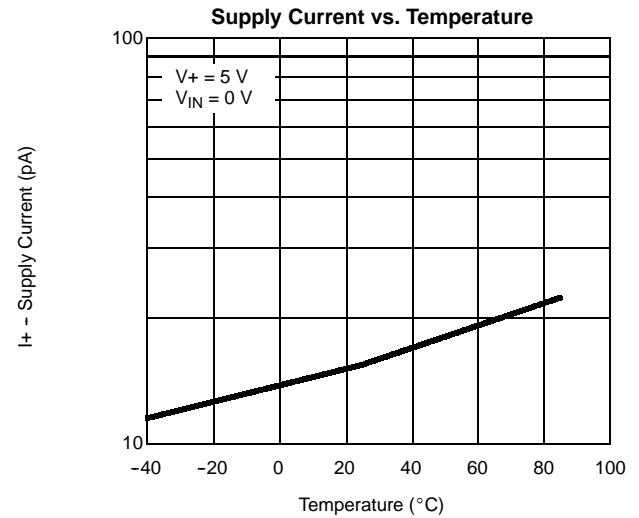
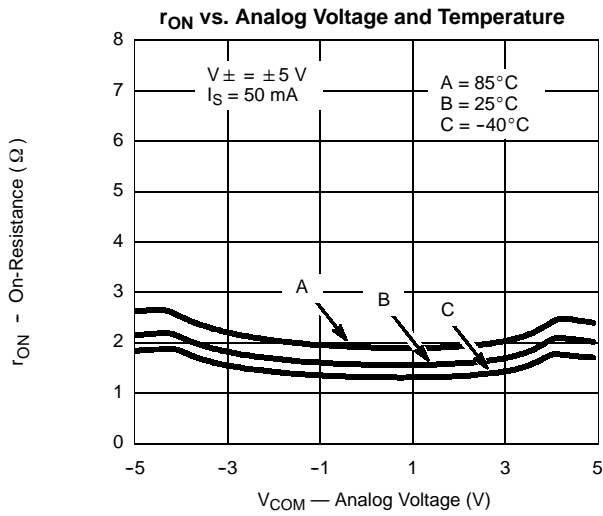
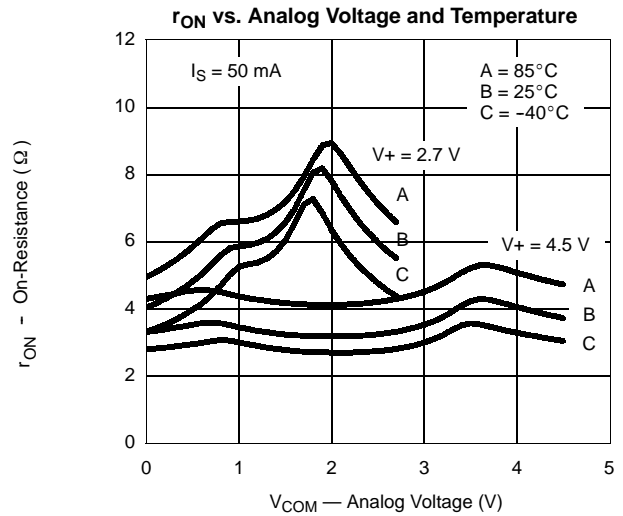
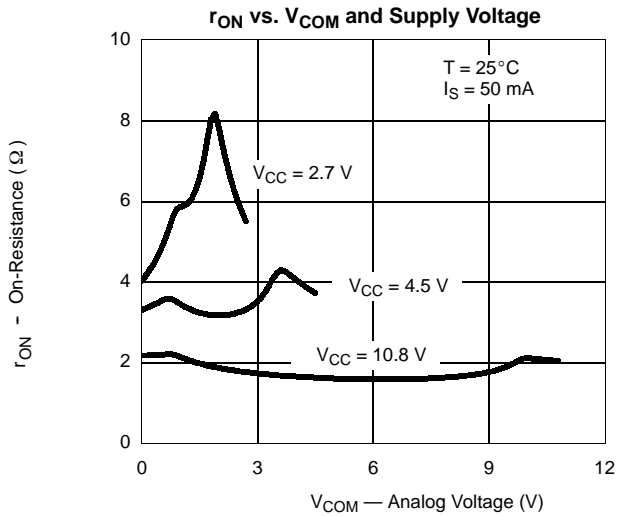
SPECIFICATIONS <sup>a</sup> (SINGLE SUPPLY 3 V)							
Parameter	Symbol	Test Conditions Unless Specified V <sub>+</sub> = 3 V, V <sub>-</sub> = 0 V V <sub>L</sub> = 3 V, V <sub>IN</sub> = 2.4 V, 0.4 V <sup>f</sup>	Temp <sup>b</sup>	Limits -40 to 85°C			Unit
				Min <sup>d</sup>	Typ <sup>c</sup>	Max <sup>d</sup>	
<b>Analog Switch</b>							
Analog Signal Range <sup>e</sup>	V <sub>ANALOG</sub>		Full	0		3	V
On-Resistance	r <sub>ON</sub>	V <sub>+</sub> = 2.7 V, V <sub>-</sub> = 0 V I <sub>NO</sub> , I <sub>NC</sub> = 5 mA, V <sub>COM</sub> = 0.5, 2.2 V	Room Full		8	13.8 15.1	Ω
Switch Off Leakage Current <sup>a</sup>	I <sub>NO(off)</sub> I <sub>NC(off)</sub>	V <sub>+</sub> = 3.3 V, V <sub>-</sub> = 0 V V <sub>COM</sub> = 0.3, 3 V, V <sub>NO</sub> , V <sub>NC</sub> = 3, 0.3 V	Room Full	-1 -10		1 10	nA
	I <sub>COM(off)</sub>		Room Full	-1 -10		1 10	
Channel On Leakage Current <sup>a</sup>	I <sub>COM(on)</sub>	V <sub>+</sub> = 3.3 V, V <sub>-</sub> = 0 V V <sub>NO</sub> , V <sub>NC</sub> = V <sub>COM</sub> = 0.3, 3 V	Room Full	-1 -10		1 10	
<b>Digital Control<sup>e</sup></b>							
Input Current	I <sub>INL</sub> or I <sub>INH</sub>		Full	-1	0.005	1	μA
<b>Dynamic Characteristics</b>							
Turn-On Time	t <sub>ON</sub>	R <sub>L</sub> = 300 Ω, C <sub>L</sub> = 35 pF V <sub>NO</sub> , V <sub>NC</sub> = 1.5 V See Figure 2	Room Full		140	163 193	ns
Turn-Off Time	t <sub>OFF</sub>		Room Full		65	80 89	
Break-Before-Make Time Delay	t <sub>D</sub>	DG9426 Only, V <sub>NO</sub> , V <sub>NC</sub> = 1.5 V R <sub>L</sub> = 300 Ω, C <sub>L</sub> = 35 pF	Room	5			
Charge Injection <sup>e</sup>	Q <sub>INJ</sub>	V <sub>g</sub> = 0 V, R <sub>g</sub> = 0 Ω, C <sub>L</sub> = 1 nF	Room		15		pC
Off Isolation <sup>e</sup>	OIRR	R <sub>L</sub> = 50 Ω, C <sub>L</sub> = 5 pF, f = 1 MHz	Room		-56		dB
Channel-to-Channel Crosstalk <sup>e</sup>	X <sub>TALK</sub>		Room		-80		
Source Off Capacitance <sup>e</sup>	C <sub>NO(off)</sub> C <sub>NC(off)</sub>	f = 1 MHz	Room		53		pF
Drain Off Capacitance <sup>e</sup>	C <sub>COM(off)</sub>		Room		42		
Channel On Capacitance <sup>e</sup>	C <sub>COM(on)</sub>		Room		92		

Notes:

- a. Leakage parameters are guaranteed by worst case test conditions and not subject to production test.
- b. Room = 25°C, Full = as determined by the operating temperature suffix.
- c. Typical values are for DESIGN AID ONLY, not guaranteed nor subject to production testing.
- d. The algebraic convention whereby the most negative value is a minimum and the most positive a maximum, is used in this data sheet.
- e. Guaranteed by design, not subject to production test.
- f. V<sub>IN</sub> = input voltage to perform proper function.



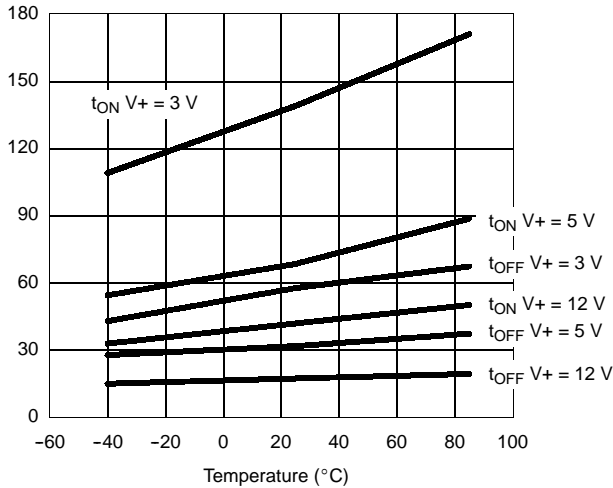
**TYPICAL CHARACTERISTICS (25°C UNLESS NOTED)**



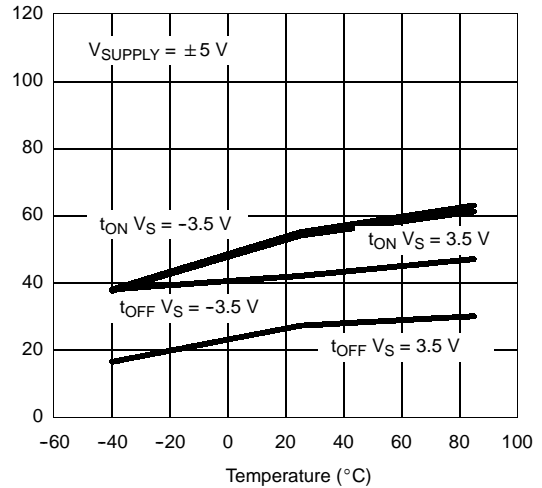


**TYPICAL CHARACTERISTICS (25°C UNLESS NOTED)**

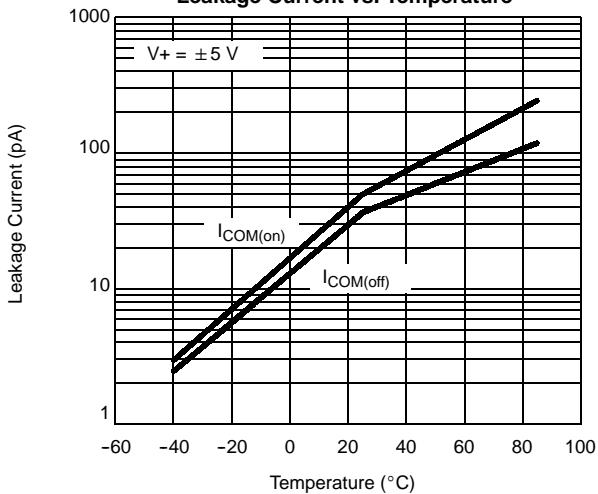
**Switching Time vs. Temperature and Single Supply Voltage**



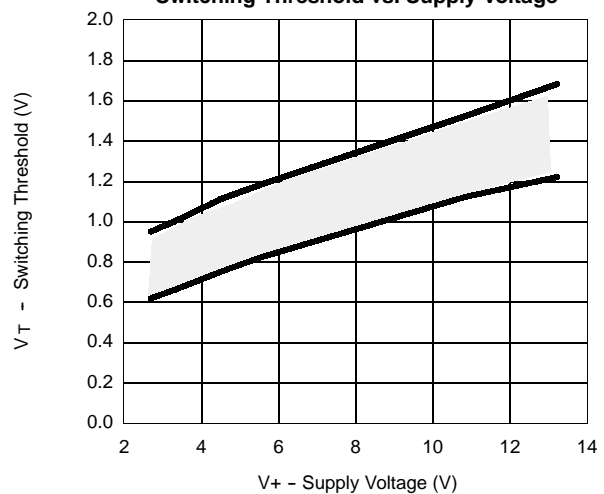
**Switching Time vs. Temperature and Dual Supply Voltage**



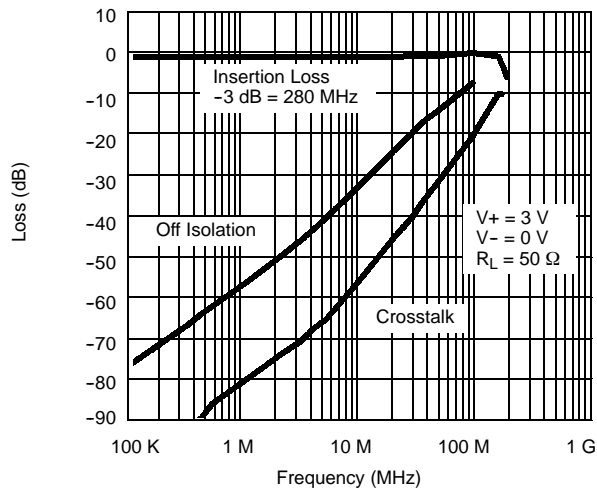
**Leakage Current vs. Temperature**



**Switching Threshold vs. Supply Voltage**



**Insertion Loss, Off Isolation and Crosstalk vs. Frequency**



**SCHEMATIC DIAGRAM (TYPICAL CHANNEL)**

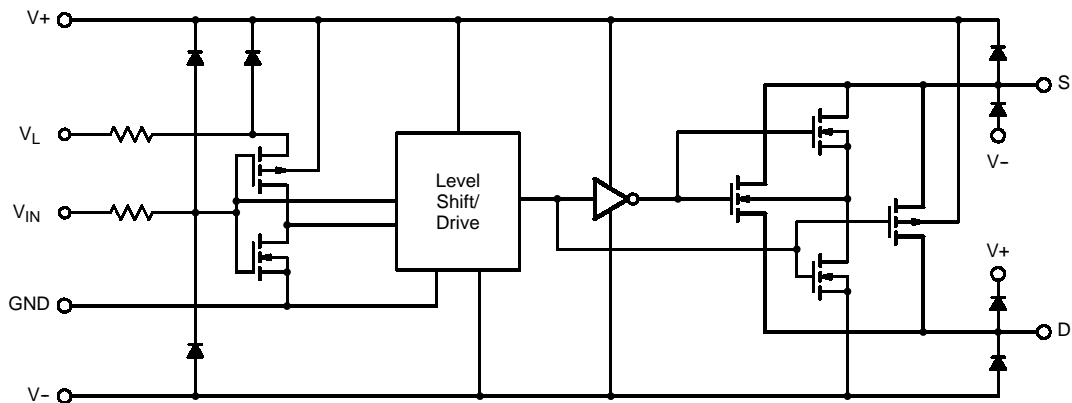
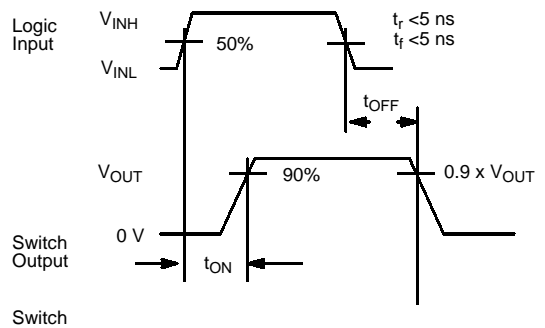
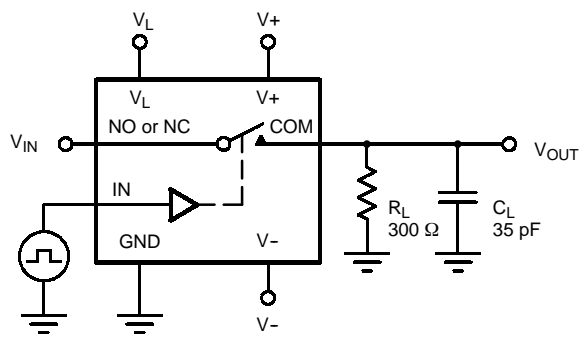


FIGURE 1.

**TEST CIRCUITS**

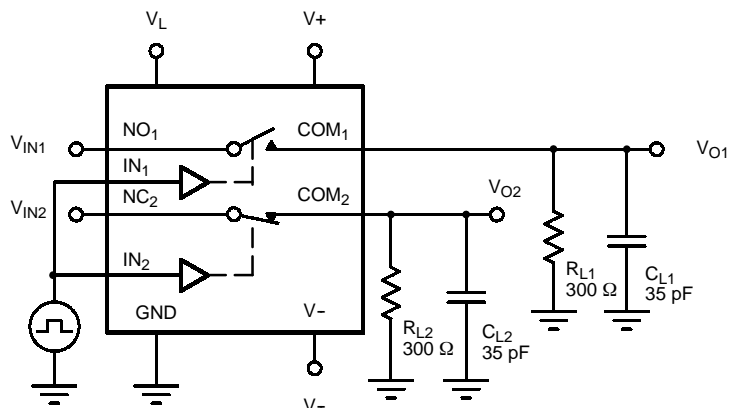


\$C\_L\$ (includes fixture and stray capacitance)

$$V_{OUT} = V_{IN} \frac{R_L}{R_L + r_{ON}}$$

Note: Logic input waveform is inverted for switches that have the opposite logic sense control

FIGURE 2. Switching Time



\$C\_L\$ (includes fixture and stray capacitance)

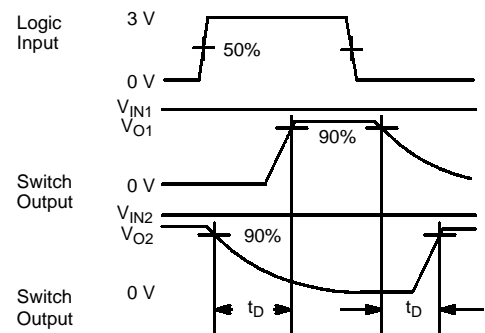
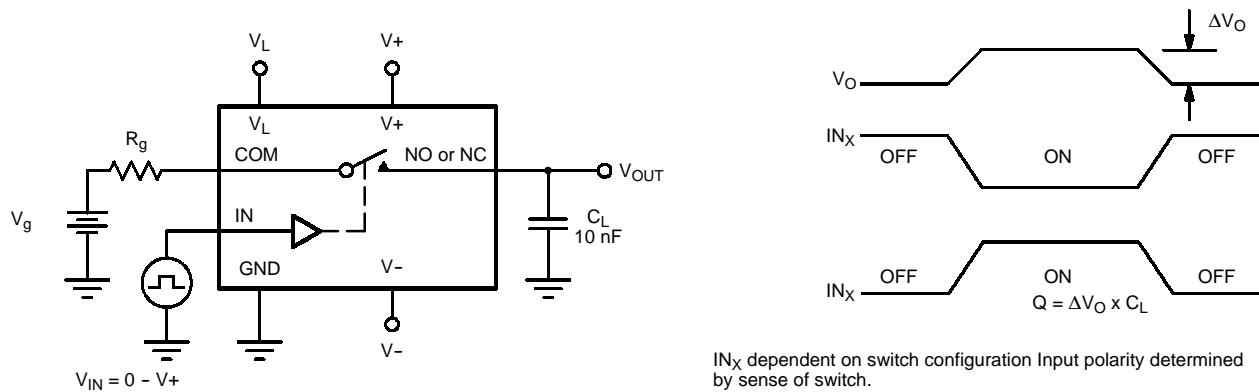
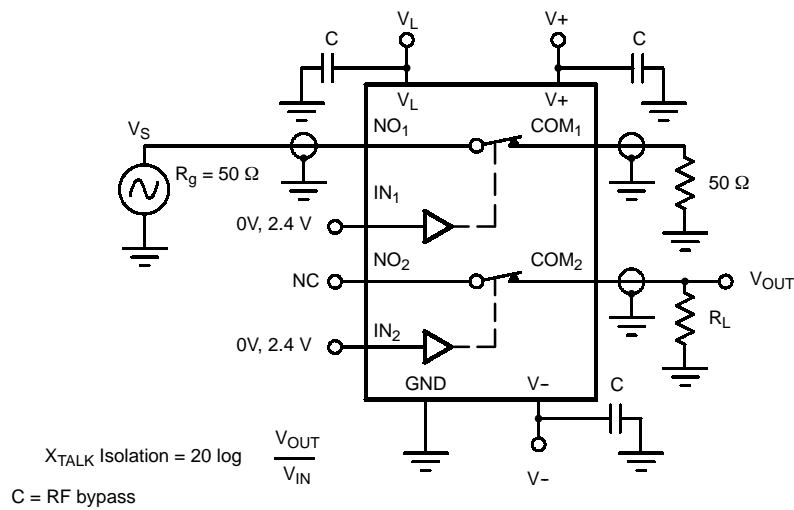
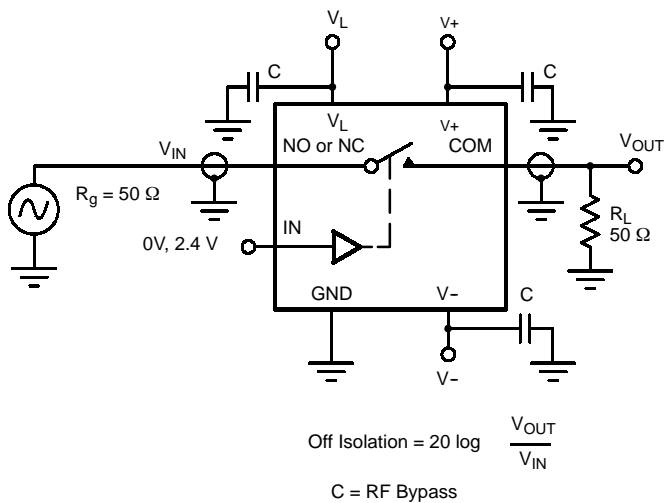
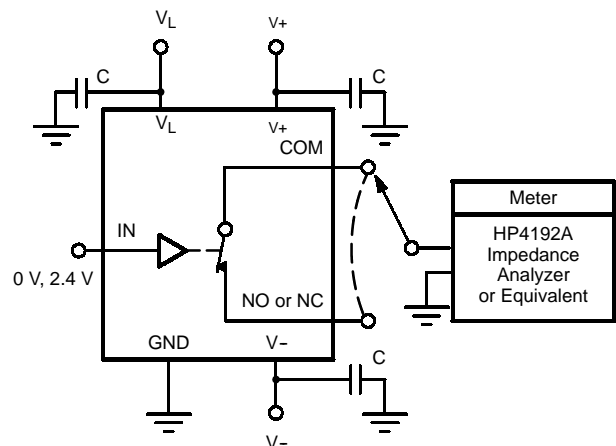


FIGURE 3. Break-Before-Make (DG9426)



**TEST CIRCUITS**

**FIGURE 4. Charge Injection**

**FIGURE 5. Crosstalk**

**FIGURE 6. Off Isolation**

**FIGURE 7. Source/Drain Capacitances**



## Disclaimer

All product specifications and data are subject to change without notice.

Vishay Intertechnology, Inc., its affiliates, agents, and employees, and all persons acting on its or their behalf (collectively, "Vishay"), disclaim any and all liability for any errors, inaccuracies or incompleteness contained herein or in any other disclosure relating to any product.

Vishay disclaims any and all liability arising out of the use or application of any product described herein or of any information provided herein to the maximum extent permitted by law. The product specifications do not expand or otherwise modify Vishay's terms and conditions of purchase, including but not limited to the warranty expressed therein, which apply to these products.

No license, express or implied, by estoppel or otherwise, to any intellectual property rights is granted by this document or by any conduct of Vishay.

The products shown herein are not designed for use in medical, life-saving, or life-sustaining applications unless otherwise expressly indicated. Customers using or selling Vishay products not expressly indicated for use in such applications do so entirely at their own risk and agree to fully indemnify Vishay for any damages arising or resulting from such use or sale. Please contact authorized Vishay personnel to obtain written terms and conditions regarding products designed for such applications.

Product names and markings noted herein may be trademarks of their respective owners.